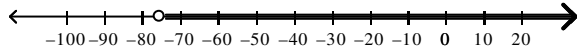
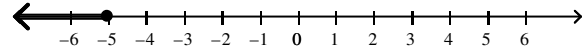


Algebra IA
Chapter 3 Review Answers

1. $b > -75$

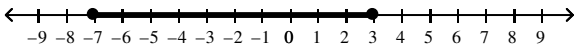


2. $t \leq -5$



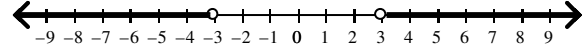
3. All real numbers

5. $-7 \leq v \leq 3$

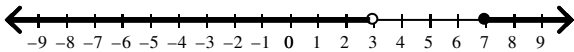


4. $x < \frac{-7}{2}$

6. $n > 3$ or $n < -3$



7. $p \geq 7$ or $p < 3$



8. $56 \text{ mph} \leq x \leq 69 \text{ mph}$

9. $x < -2$ or $x \geq 3$

10. $-1 \leq x < 4$

11. $z = 3$ or $z = \frac{-3}{5}$

12. no solution

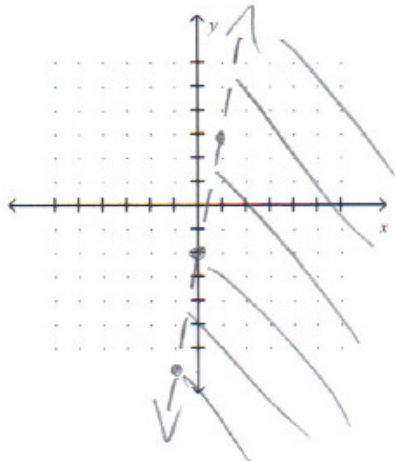
13. $m = -3$ or $m = 13$

14. $x = \frac{38}{3}$ or $x = -16$

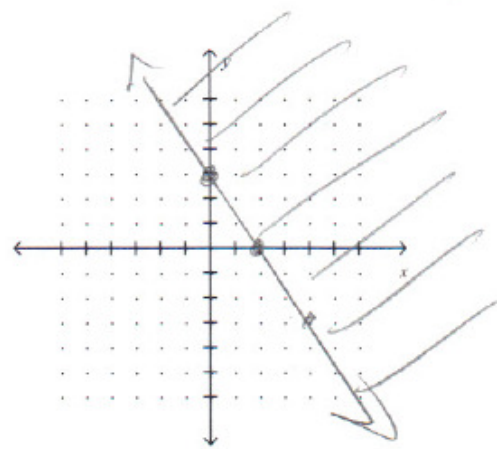
15. Answers may vary.

16. I will grade your explanation.

17.



18.



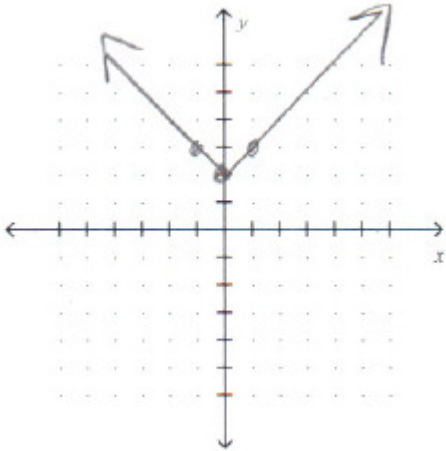
19. up 2
 $y = |x| + 2$

20. left 3, up 2
 $y = |x + 3| + 2$

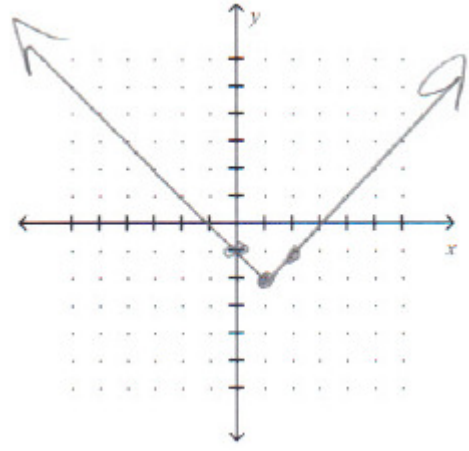
21. right 4, reflection on x-axis
 $y = -|x - 4|$

22. right 4, down 3
reflection on x-axis
 $y = -|x - 4| - 3$

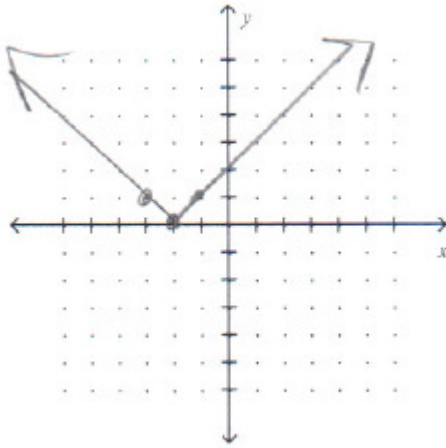
23.



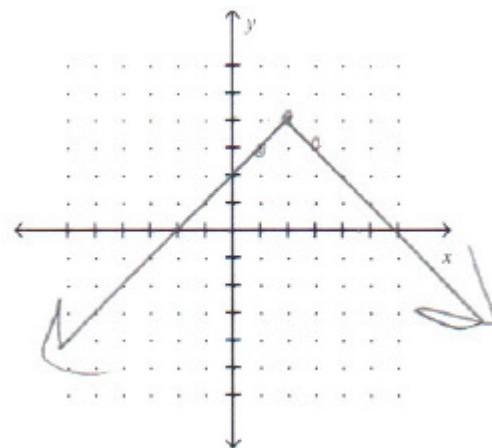
24.



25.



26.



27. I will grade your explanation.