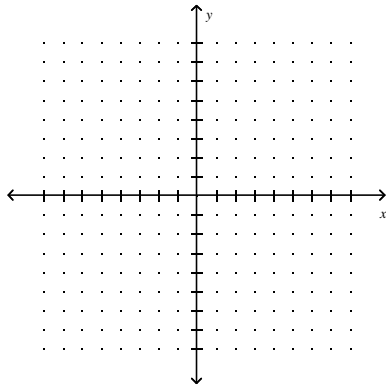


## C6L5 Notes

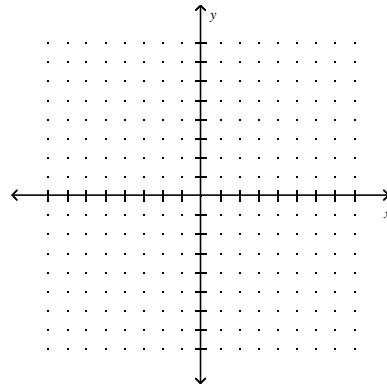
### Linear Inequalities

Solve for  $y$  if necessary, state the slope and the  $y$ -intercept, then graph.

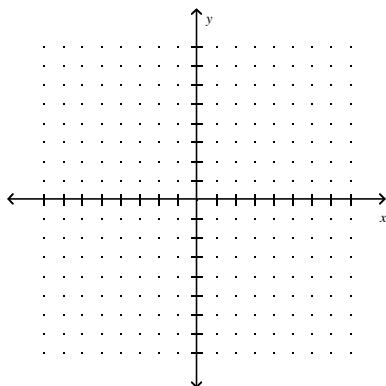
1.



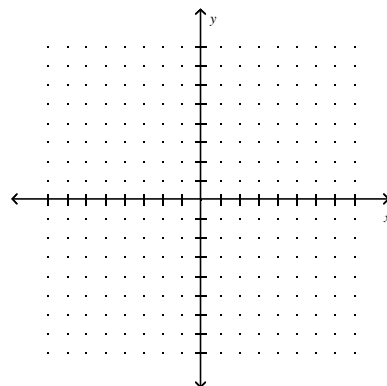
2.



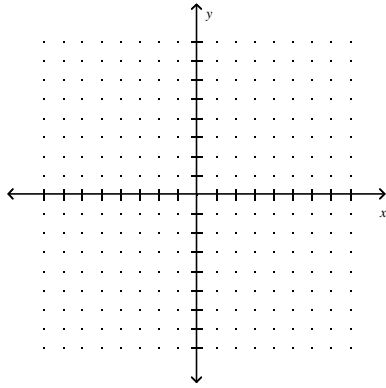
3.



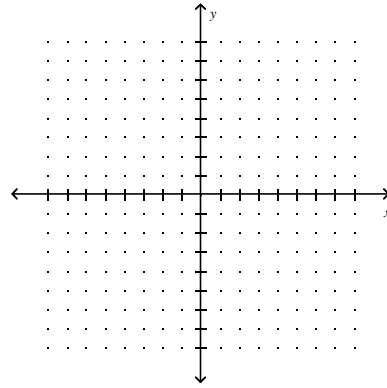
4.



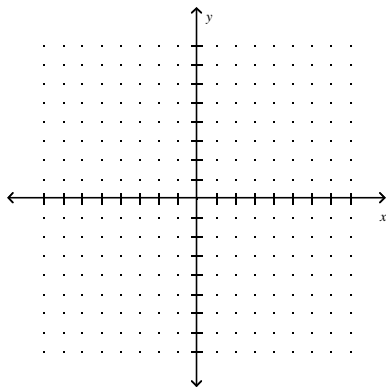
5.



6.



7.



8.

