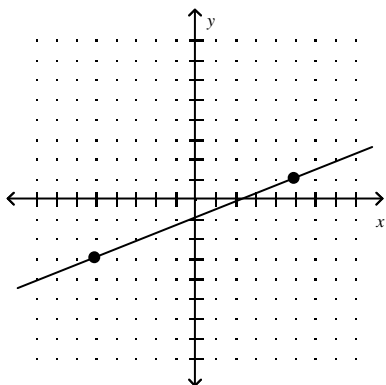


C5L1 Notes

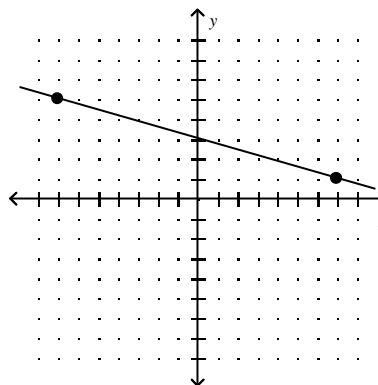
Rate of Change and Slope

Find the slope of the line.

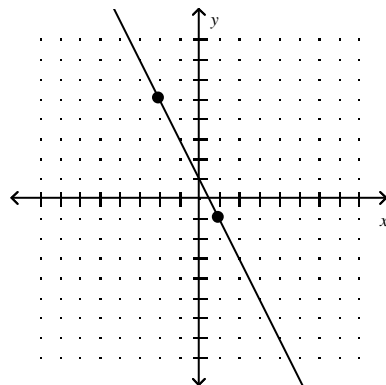
1.



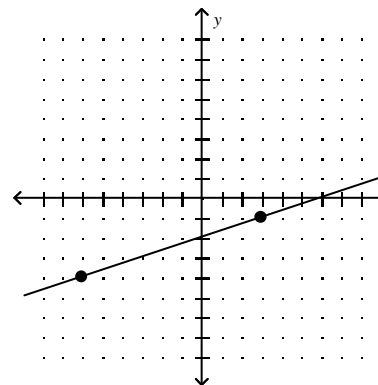
2.



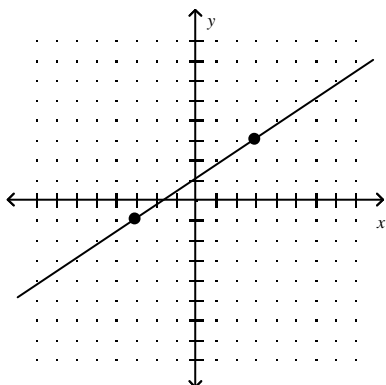
3.



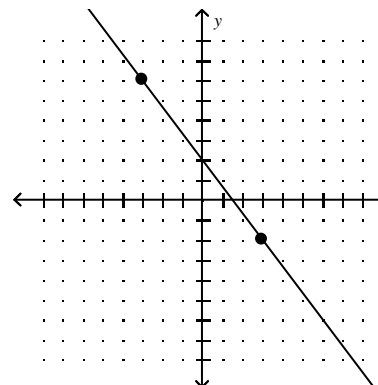
4.



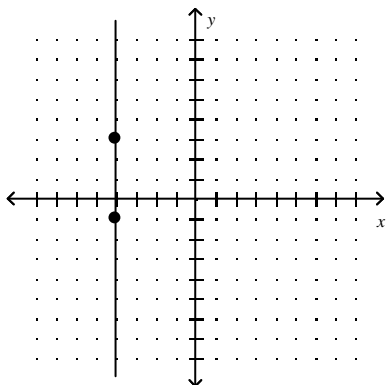
5.



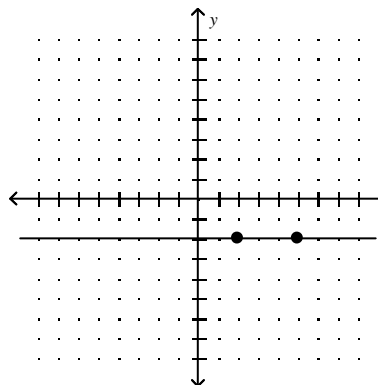
6.



7.



8.



SLOPE AND RATE OF CHANGE

$$\text{Slope} = m = \frac{\text{change in}}{\text{change in}} = \underline{\hspace{2cm}} = \underline{\hspace{2cm}}$$

9. (,) (6, -4)

10. (, 6) (, 0)

11. (, -3) (, 7)

12. (, -2) (, -2)

The tables represent a linear relationship between x and y. Find the slope of the line.

13.

X	Y
-2	
0	
2	

14.

X	Y
0	
8	
4	

15.

X	Y
4	
-1	
-6	

Find the value of x or y so that the line through the points has the given slope.

16. (-9, -6) and (-4, y) slope:

17. (x, 4) and (-6, -2) slope:

18. (-5, -4) and (7, y) slope:

Without graphing, tell whether the slope of a line that models each linear relationship is positive, negative, zero, or undefined. Then find the slope.

19. A babysitter earns \$_____ for 1 hour and \$_____ for 4 hours.

20. The total cost, including shipping, for ordering five uniforms is \$_____. The total cost, including shipping, for ordering nine uniforms is \$_____.

21. In 1970, the population of a small town was _____. By 2010, the population had risen to _____.

State the independent variable and the dependent variable in the linear relationship. Then find the rate of change for the situation.

21. The cost of tickets is \$_____ for three people and \$_____ for seven people.